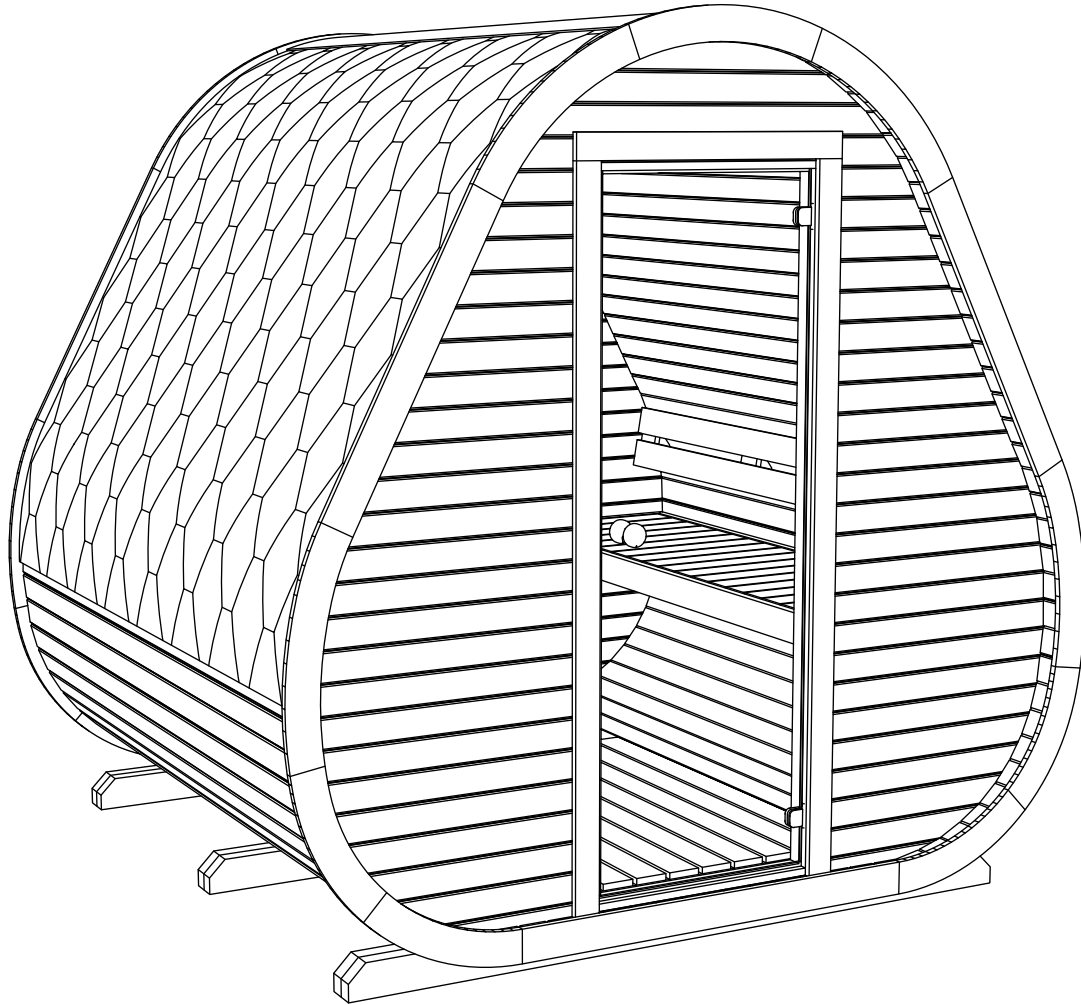


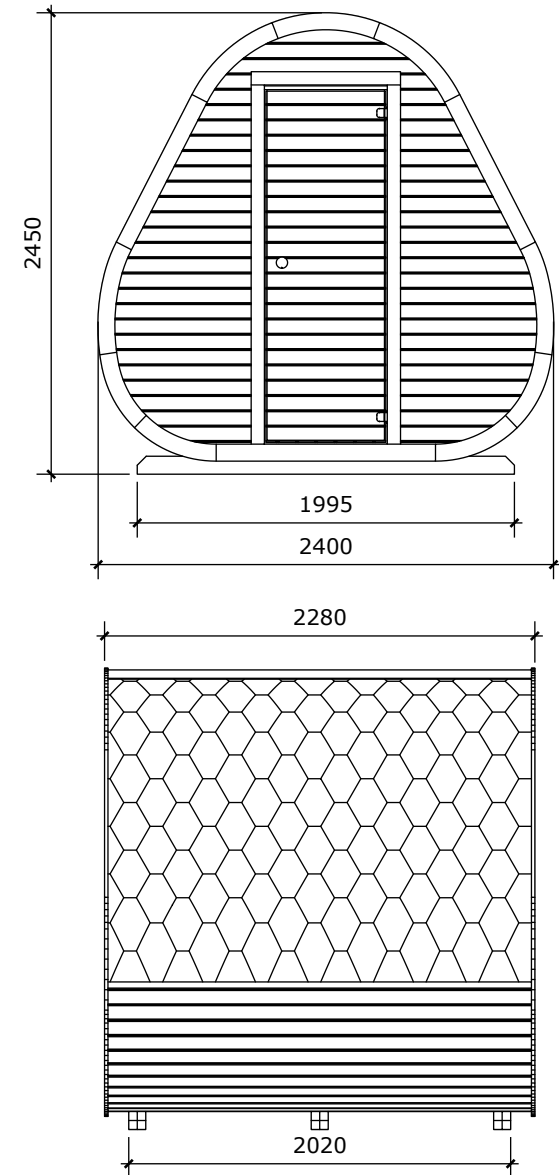
# CELSIUM<sup>o</sup>

The Ritual Your Day Deserves

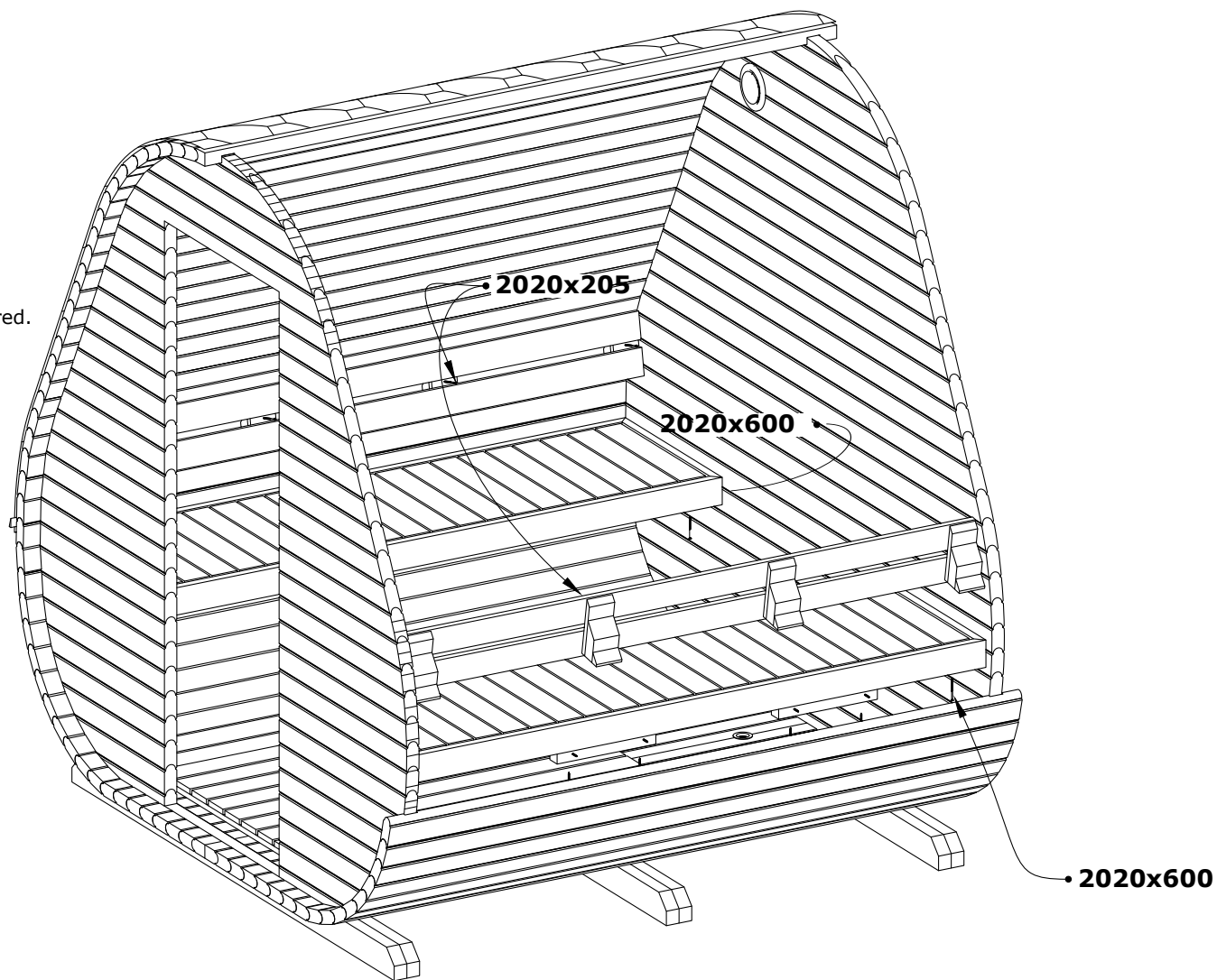


# HERKUS Classic

2280x2400xh2450



Sauna Cabin:  
Capacity: 4-6 Person  
Coverage Area: 5.52m<sup>2</sup>  
Steam Room Volume: 4.8m<sup>3</sup>  
Outer Dimensions (W x D x H): 2.400m x 2.300m x 2.450m  
Inner Dimensions (W x D x H): 2.300m x 2.020m x 2.250m  
Weight: 750kg  
Pallet Size (Flat Pack): 1.20m x 2.50m x 1.25m  
Construction Material: Premium Nordic Timber  
(The thickness of the wooden boards used for the walls is 44 mm.)  
Door Type: Full-Height Tempered Glass 8mm  
Exterior Finish: Horizontal Slatted Timber  
Optionary: full glass front, or partial glass back wall.  
Recommended heating output: 9-11 kW. Three-phase power supply required.  
Foundation Required: Solid, level base (min 2.5m x 2.4m)  
Origin: Handcrafted in Lithuania



#### Delivery & Installation

All Celsius saunas are delivered securely on a pallet and include clear, step-by-step installation guidelines.

#### Flat Pack / DIY Deliveries

For flat pack orders, the sauna is delivered on a pallet and unloaded directly onto your driveway using a forklift or HIAB truck, depending on site access. This unloading service is included in the listed price.

#### Fully Assembled Deliveries

When selecting a factory-assembled sauna, delivery to your location is included in the price. However, unloading the sauna requires a forklift or crane, which must be arranged by the customer. If preferred, we can organize the necessary equipment on your behalf for an additional charge—please contact us for assistance.

## 1. Sauna Use and Maintenance

- Carefully read this manual before using or maintaining the sauna.
- Ensure that the sauna room is properly ventilated and that the heater is installed according to the manufacturer's instructions and local building regulations.
- Before heating, make sure all wooden components are dry and have not been exposed to moisture.

## 2. Surface Finishing and Wood Care

- Before using the sauna, coat all interior surfaces, including benches and ceilings, with a breathable, sauna-safe protective oil or wax.
- Apply the treatment evenly on all sides to protect the wood from moisture, dirt, and stains.
- Do not use paints, lacquers, or varnishes — they are not suitable for the temperature and humidity fluctuations inside a sauna.
- Regular reapplication will extend the lifespan of the wood and maintain its appearance.

## 3. Heater Stones and First Heating

- Install the sauna heater and stones according to the manufacturer's safety instructions and required clearances. Ensure proper ventilation.
- Rinse the stones before use to remove dust and debris.
- During the first heating, raise the temperature to approximately 100 °C and maintain it for about 2 hours with good ventilation— this removes residual moisture.
- After the first heating, check that all wooden components remain straight and undamaged.

## 4. Cleaning and Regular Maintenance

- After each sauna session, ventilate the room and allow it to dry completely.
- Wipe benches and wooden surfaces with a soft, damp cloth. Avoid soaking the wood.
- Periodically remove benches or floor gratings for thorough cleaning and to ensure proper airflow.
- Inspect the heater stones, remove cracked or worn ones, and replace them if needed.
- Regularly check all screws, joints, and fasteners to maintain structural stability.

## 5. Prohibited Actions

- Do not use plastic sheets, carpets, or similar materials inside the sauna— they pose fire and damage risks.
- Do not dry clothes or towels directly in the sauna — excessive heat may deform the wood and create fire hazards.
- Do not use detergents, solvents, or strong chemicals to clean wooden surfaces.
- Do not pour excessive water or other liquids onto the heater stones.

## 6. Wood Properties

- Wood is a natural material — changes in temperature and humidity may cause small surface cracks or bending. This is normal and depends on usage and wood type.
- Heat-treated wood may darken over time — this is a natural process that does not affect durability.