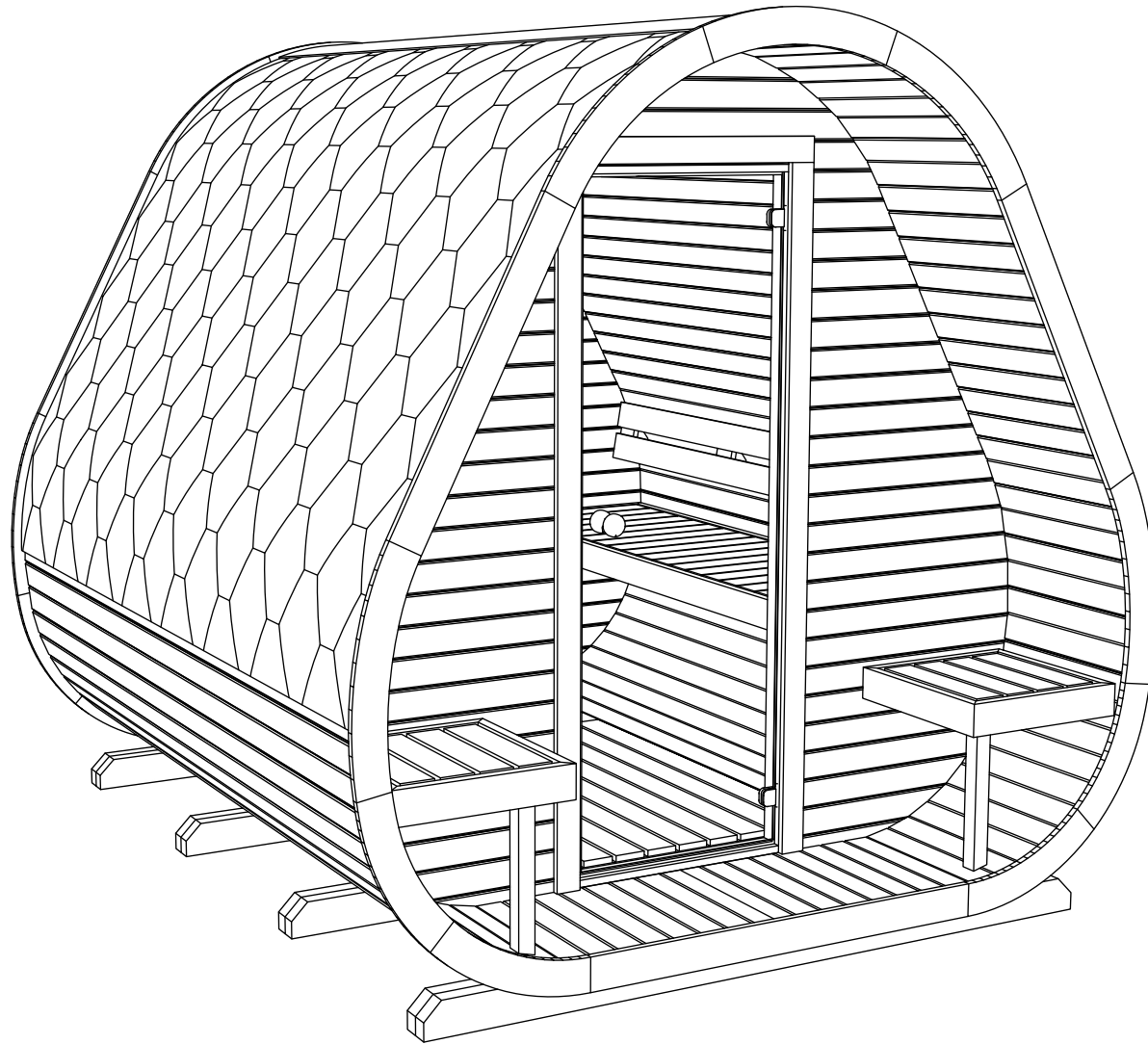


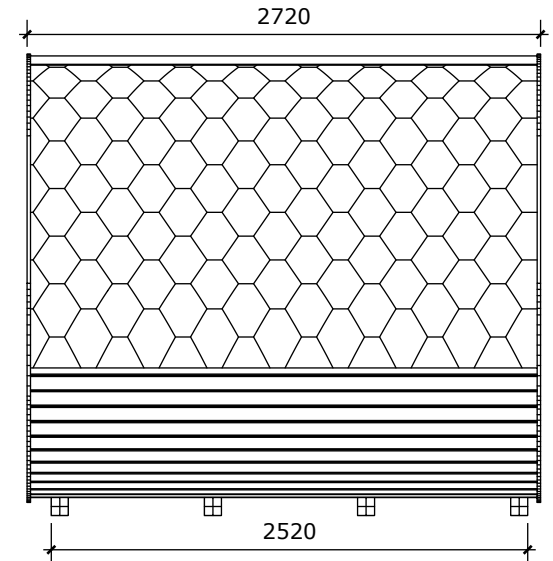
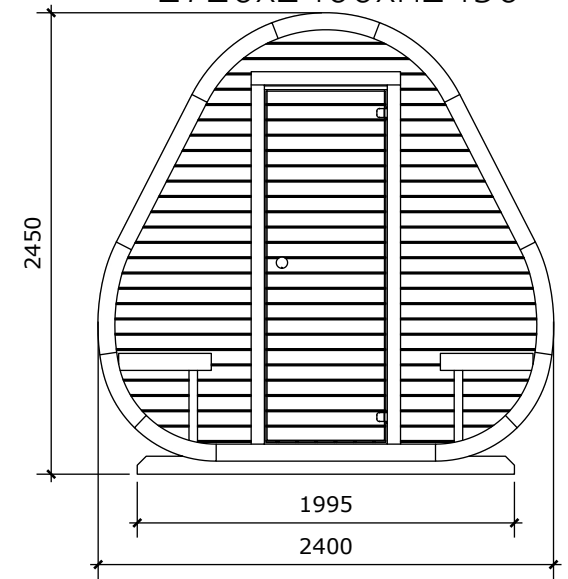
CELSIUM^o

The Ritual Your Day Deserves



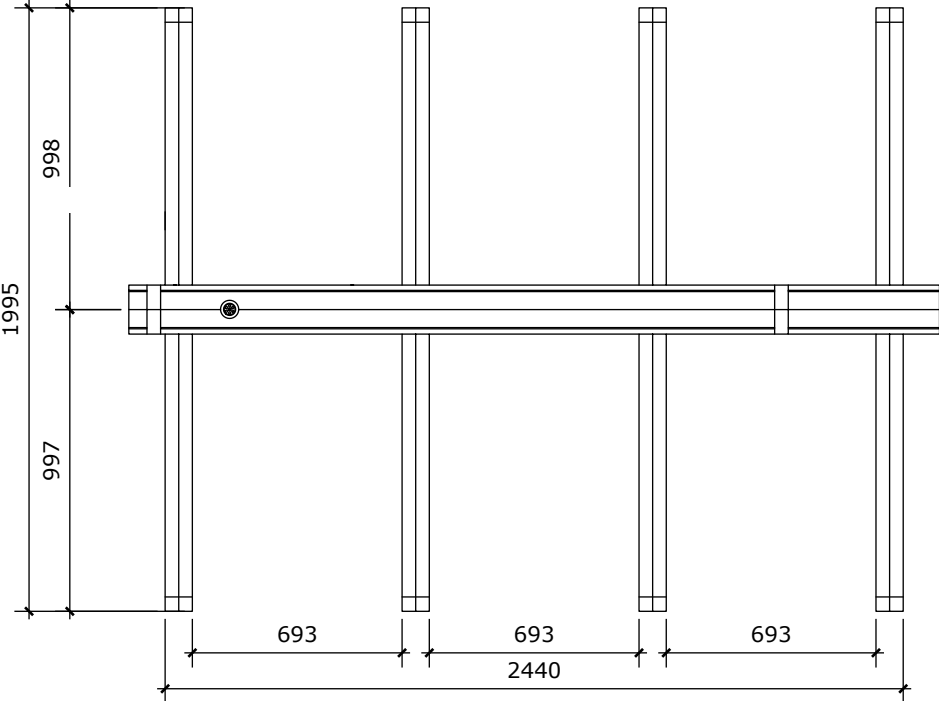
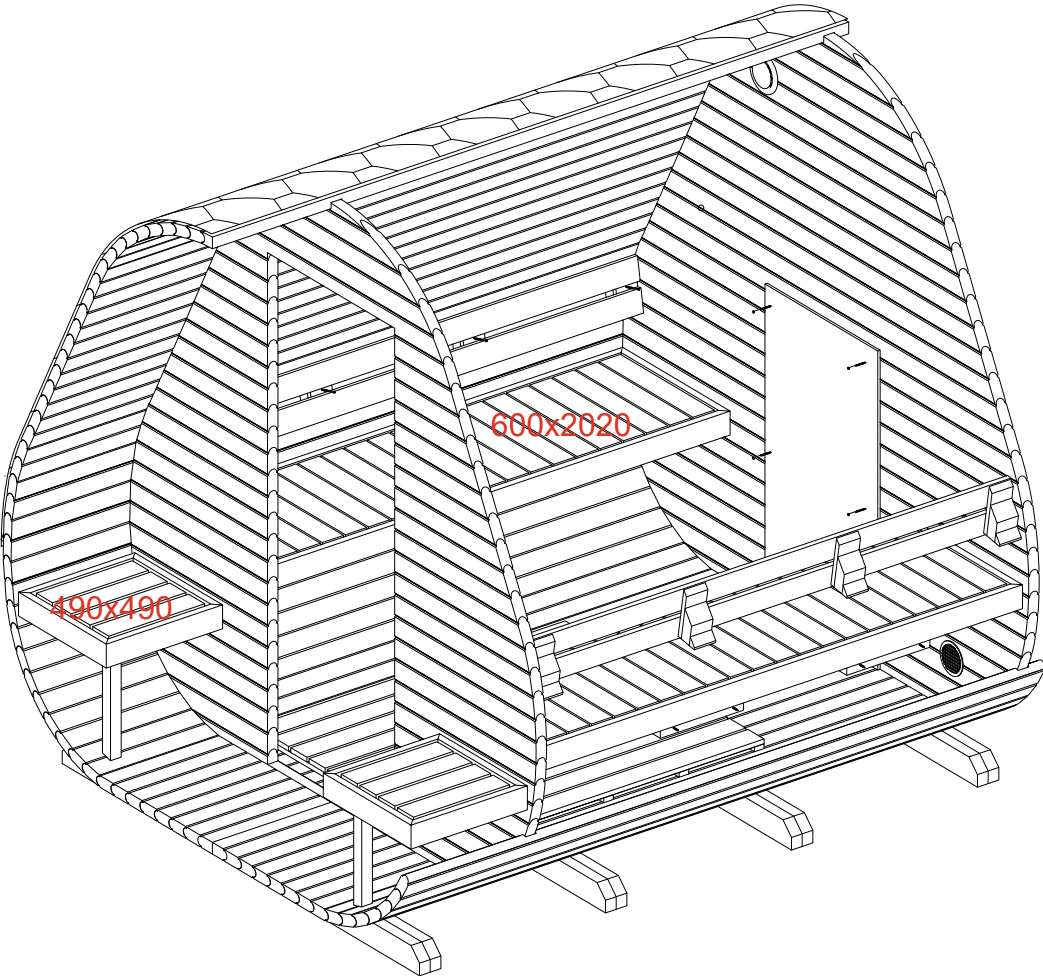
HERKUS Grand

2720x2400xh2450



Sauna Cabin:

Capacity: 4-6 Person
Coverage Area: 6.52m²
Steam Room Volume: 13.1m³
Outer Dimensions (W x D x H): 2.400m x 2.720m x 2.450m
Inner Dimensions (W x D x H): 2.300m x 2.020m x 2.250m
Weight: 750kg
Pallet Size (Flat Pack): 1.20m Å— 2.80m Å— 1.25m
Construction Material: Premium Nordic Timber (The thickness of the wooden boards used for the walls is 44 mm.)
Door Type: Full-Height Tempered Glass 8mm
Exterior Finish: Horizontal Slatted Timber
Optionary: full glass front, or partial glass back wall.
Recommended heating output: 9-11 kW. Three-phase power supply required.
Foundation Required: Solid, level base (min 2.5m x 2.0m)
Origin: Handcrafted in Lithuania



Delivery & Installation

All Celsius saunas are delivered securely on a pallet and include clear, step-by-step installation guidelines.

Flat Pack / DIY Deliveries

For flat pack orders, the sauna is delivered on a pallet and unloaded directly onto your driveway using a forklift or HIAB truck, depending on site access. This unloading service is included in the listed price.

Fully Assembled Deliveries

When selecting a factory-assembled sauna, delivery to your location is included in the price. However, unloading the sauna requires a forklift or crane, which must be arranged by the customer. If preferred, we can organize the necessary equipment on your behalf for an additional charge—please contact us for assistance.